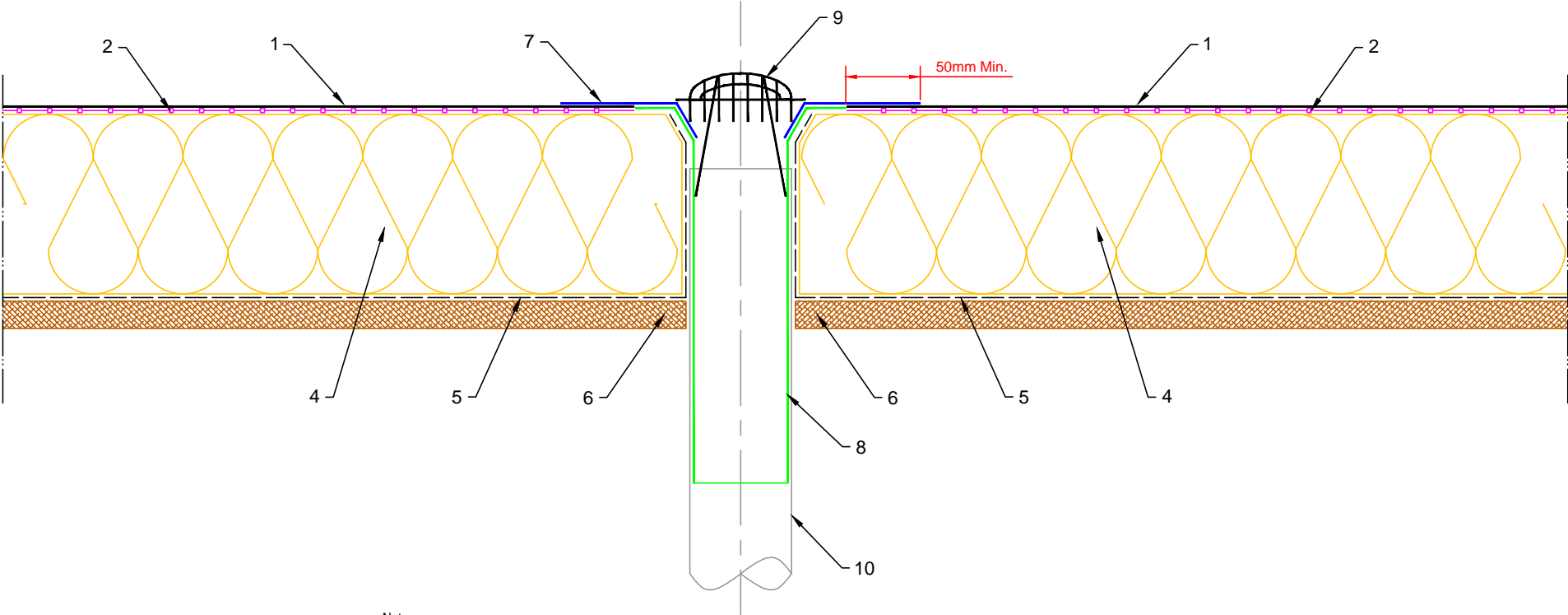


- 1. RubberBond FleeceBack EPDM
- 2. RubberBond Decking Adhesive
- 3. RubberBond Bonding Adhesive
- 4. Suitable thermal insulation, thickness determined by U-value
- 5. Vapour Control Layer (VCL)
- 6. Structural decking
- 7. 225mm PS Elastoform Flashing
- 8. RubberBond anti backup drain
- 9. Leaf Grate
- 10. 68mm rain water pipe, by others



Notes:  
 1. This detail was prepared to serve as a guideline representing typical detailing conditions and illustrate the correct application of RubberBond products only. It may be necessary to modify this detail in whole or part in accordance with specific project conditions, design or requirements.  
 2. This outlet is designed for use with a 68mm downpipe.



Roofing the world for 50 years  
 www.rubberbond.co.uk

Title 68mm ANTI BACK UP DRAIN	
Product RB-D-3	

Rev	Date	Comments
A	18.10.12	PRODUCTION Issue

Drawn	Checked	Approved	Scale	Date
MFO	DW	DW	1: 4@A4	18.10.12
Status PRODUCTION				
Drawing No: RB/D/3				Rev: A