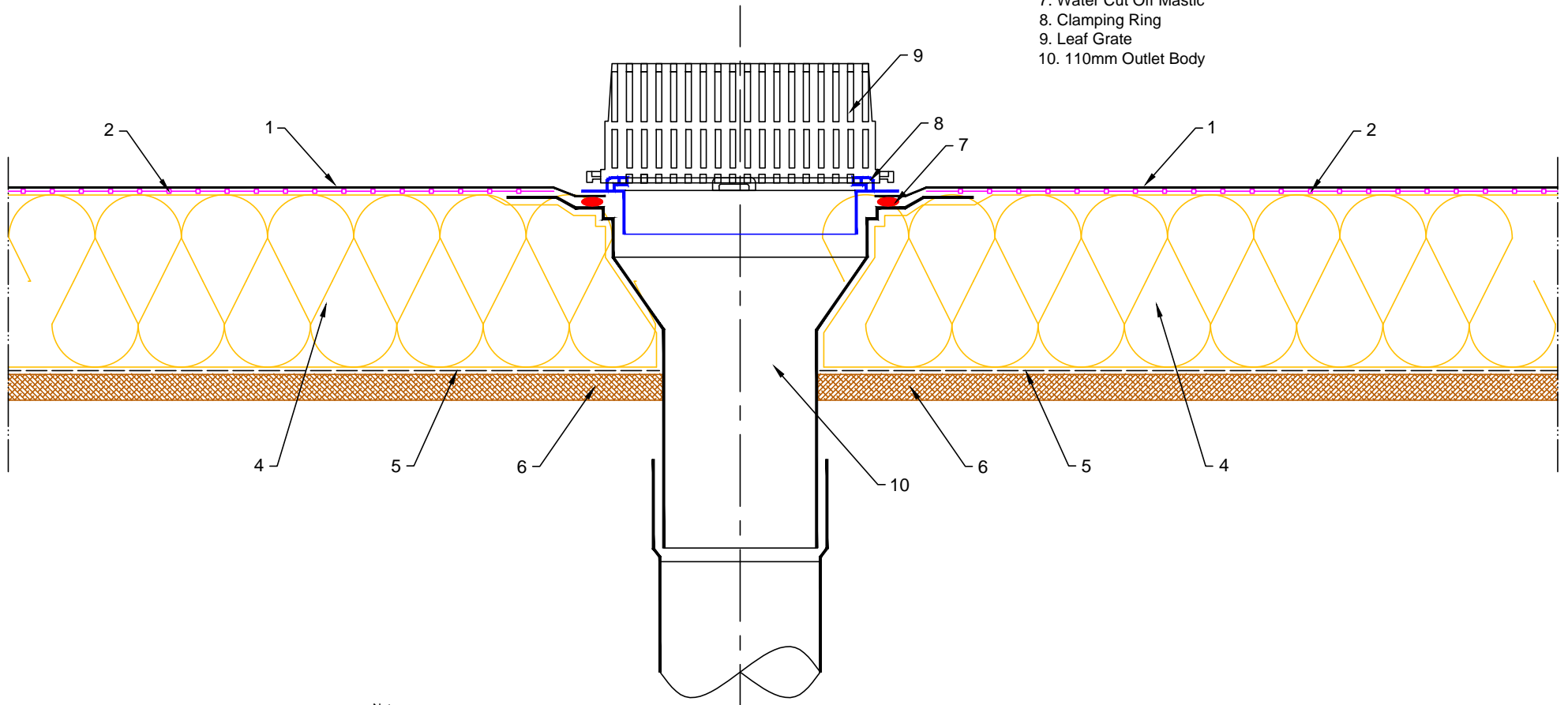


1. RubberBond FleeceBack EPDM
2. RubberBond Decking Adhesive
3. RubberBond Bonding Adhesive
4. Suitable thermal insulation, thickness determined by U-value
5. Vapour Control Layer (VCL)
6. Structural decking
7. Water Cut Off Mastic
8. Clamping Ring
9. Leaf Grate
10. 110mm Outlet Body



Notes:
 1. This detail was prepared to serve as a guideline representing typical detailing conditions and illustrate the correct application of RubberBond products only. It may be necessary to modify this detail in whole or part in accordance with specific project conditions, design or requirements.
 2. Install a continuous bead of water cut off mastic around drain
 3. Use cutting guide supplied with outlet



Roofing the world for 50 years
 www.rubberbond.co.uk

Title FABRICATED PIPE SEAL	
Product RB-D-2	

A	17.10.12	PRODUCTION Issue
Rev	Date	Comments

Drawn MFO	Checked DW	Approved DW	Scale 1: 4@A4	Date 17.10.12
Status PRODUCTION				
Drawing No: RB/D/2				Rev: A